

Service Warehouse

DOC'S INDUSTRIES, INC.

Submittal Documents

HPH PM Series J-Hooks

January 8, 2020



Prepared By:

Doc's Industries, Inc.

4121 Guardian St., Simi Valley, CA 93063

A

B

C

D

REV	DESCRIPTION	DATE	APPROVAL

FRONT VIEW



1/4" x 20

1 1/4" Dia.

Notes: 1 1/4" Diameter loop bridle ring with 1/4" x 20 machine screw threads. Used to support communication cables & other non data sensitive cables & wires. Packaged 100 pcs per box, 1,000 pcs per carton.

Material	Mild Carbon Steel
Finish	Zinc Type II

Release Approval:	Tolerances: .X = +/- 0.02in .XX = +/- 0.01in .XXX = +/- .005in Unless Otherwise Specified
Release Date:	
Customer Approval:	Proprietary Rights: All information that is contained within is proprietary. Not for unauthorized use or disclosure.

Service Warehouse

DOC'S MARKETING CORP.

Part Number: **BR4T125**

Title: 1 1/4" Diameter Bridle Ring with 1/4" x 20 Machine Screw Threads

Date: 1/17/14	Drawn by: RO
Drawing Number: 10007	Sheet 1 of X

A

B

C

D

A

B

C

D

FRONT VIEW

REV	DESCRIPTION	DATE	APPROVAL

C  US
LISTED
31TS



Service Warehouse

DOC'S MARKETING CORP.

3/4" Basic Doc's J Hook.
Cat. 5e capacity 16, Cat. 6 capacity 10,
Cat. 6A (Min. OD 0.300") 2, Cat. 6A (Max. OD 0.354") 2
UL tested load 17 lbs., packaged 100 pcs per box

Release Approval:

Tolerances:

.X = +/- 0.02in
.XX = +/- 0.01in
.XXX = +/- .005in
Unless Otherwise Specified

Title: 3/4" Basic J Hook

Release Date:

Proprietary Rights:
All information that is contained within is proprietary. Not for unauthorized use or disclosure.

Size:

Scale:

Part Number:

Rev:

A

None

JH12

RO

Date: 4/30/13

Drawn by RO

X

Drawing Number 10202 <

Sheet 1 of X

Material	Mild Carbon Steel
Finish	Galvanized Yellow Zinc

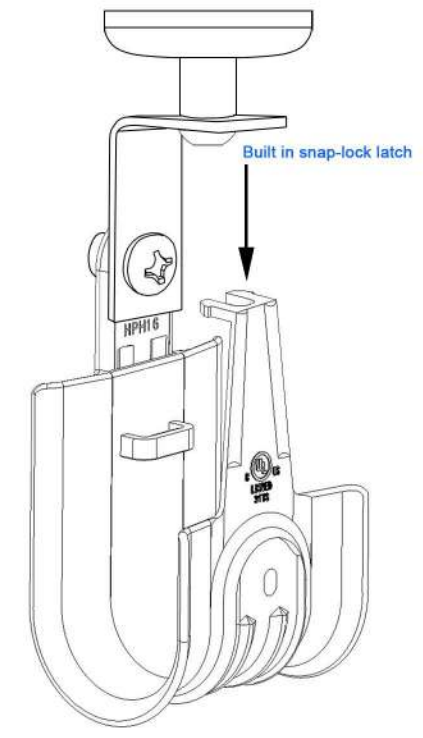
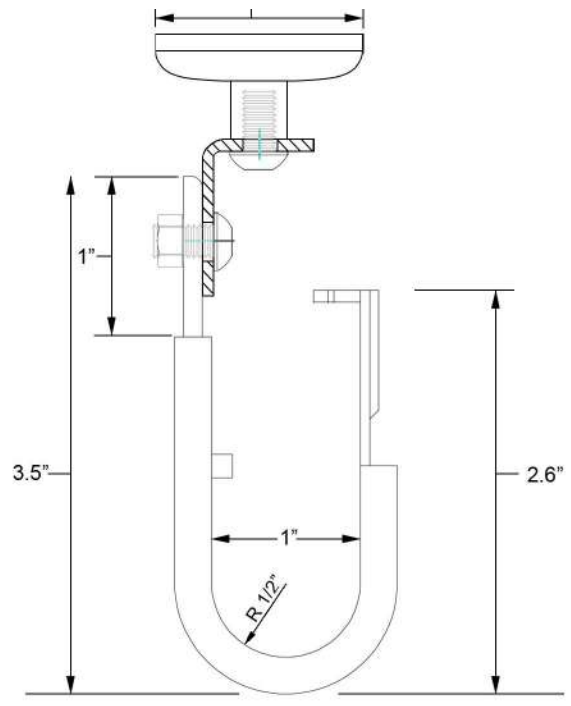
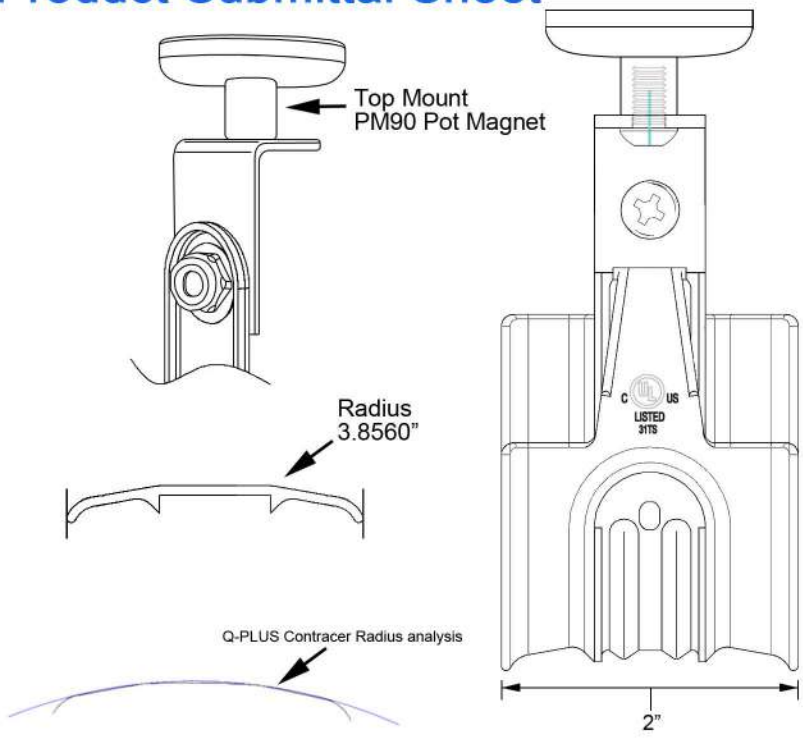
A

B

C

D

Product Submission Sheet



Notes:
 Doc's® Item No.: HPH16AC - 1" High Performance Hybrid J Hook assembled to 90° angle clip assembled to PM90 Pot Magnet.
 TIA 569-D Compliant with an optimum bend radius of 3.8560" - tested and certified by Q-PLUS Laboratories in Irvine, CA 92618. An ISO 9001 registered / ISO 17025 accredited independent lab. UL load rating is based on a 3 to 1 safety factor. Ultimate Load rating is to failure point. Optimal support for high performance data cables such as Cat 5e, Cat 6, Cat 6A and Cat 7.
 A MITUTOYO CONTOUR TRACER CV-524 WAS USED TO TRACE THE ACTUAL CROSS-SECTION CONTOUR OF THE J-HOOK. BEND RADIUS WAS FIT TO THE RAW DATA TO SIMULATE THE CONTACT OF THE CABLES IN THE J-HOOK.

Material	Steel / Polypropylene & Neodymium
Finish	Eco-friendly Zinc Cr3+ & Silver Zinc
Origin	Designed in California, Made in China
UL Load	20 lbs. / 88.96 N
Application	Vertical Mount to metallic substrates
Certification	Q-Plus
Pkg. Qty.	10 pcs per box
UPC	680283918591

	Plenum Rated TIA Compliant				
	Cable Capacity				
Part No.	Area	Dia.	CAT 5e	CAT 6	CAT 6a
HPH16	1.29 in ²	1"	20	15	10
HPH32	3.89 in ²	2"	90	60	35
HPH48	8.37 in ²	3"	200	150	80
HPH64	15.08 in ²	4"	330	220	140

Service Warehouse

DOC'S INDUSTRIES, INC.

Doc's Industries, Inc. 4121 Guardian St. Simi Valley, CA 93063

Part Number: **HPH16PM**

Title: 1" High Performance Hybrid J Hook with 2" wide base support and built-in snap-lock latch - assembled to 90° angle clip with PM90 Pot Magnet.

Date: 01/08/2020 Drawn by: RO

Drawing Number: 10017PM Sheet 1 of 1

A

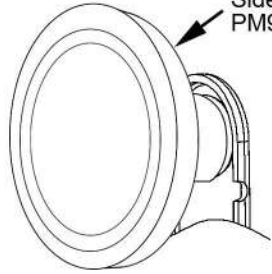
B

C

D

Product Submittal Sheet

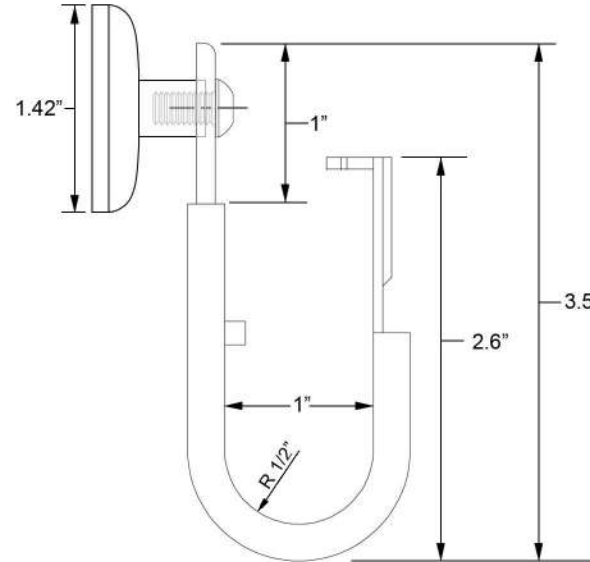
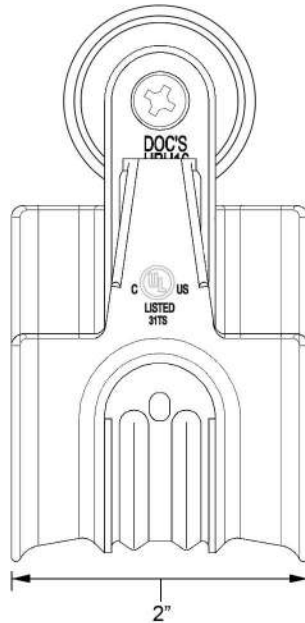
Side Mount
PM90 Pot Magnet



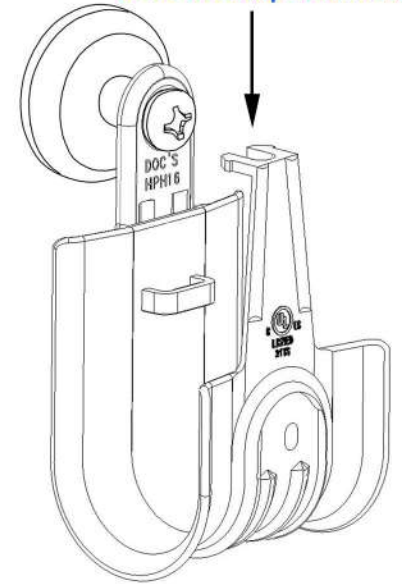
Radius
3.8560"



Q-PLUS Contracer Radius analysis



Built in snap-lock latch



Notes:

Doc's® Item No.: HPH16 - 1" High Performance Hybrid J Hook assembled to PM90 Pot Magnet. TIA 569-D Compliant with an optimum bend radius of 3.8560" - tested and certified by Q-PLUS Laboratories in Irvine, CA 92618. An ISO 9001 registered / ISO 17025 accredited independent lab. UL load rating is based on a 3 to 1 safety factor. Ultimate Load rating is to failure point. Optimal support for high performance data cables such as Cat 5e, Cat 6, Cat 6A and Cat 7.

A MITUTOYO CONTOUR TRACER CV-524 WAS USED TO TRACE THE ACTUAL CROSS-SECTION CONTOUR OF THE J-HOOK. BEND RADIUS WAS FIT TO THE RAW DATA TO SIMULATE THE CONTACT OF THE CABLES IN THE J-HOOK.

Material	Steel / Polypropylene & Neodymium
Finish	Eco-friendly Zinc Cr3+ & Silver Zinc
Origin	Designed in California, Made in China
UL Load	20 lbs. / 88.96 N
Ultimate Load	N/A
Certification	Q-Plus
Pkg. Qty.	10 pcs per box
UPC	680283918584

	Plenum Rated TIA Compliant				
	Cable Capacity				
Part No.	Area	Dia.	CAT 5e	CAT 6	CAT 6a
HPH16	1.29 in ²	1"	20	15	10
HPH32	3.89 in ²	2"	90	60	35
HPH48	8.37 in ²	3"	200	150	80
HPH64	15.08 in ²	4"	330	220	140

Service Warehouse

DOC'S INDUSTRIES, INC.

Doc's Industries, Inc. 4121 Guardian St. Simi Valley, CA 93063

Part Number:

HPH16PMSM

Title: 1" High Performance Hybrid J Hook with 2" wide base support and built-in snap-lock latch assembled to PM90.

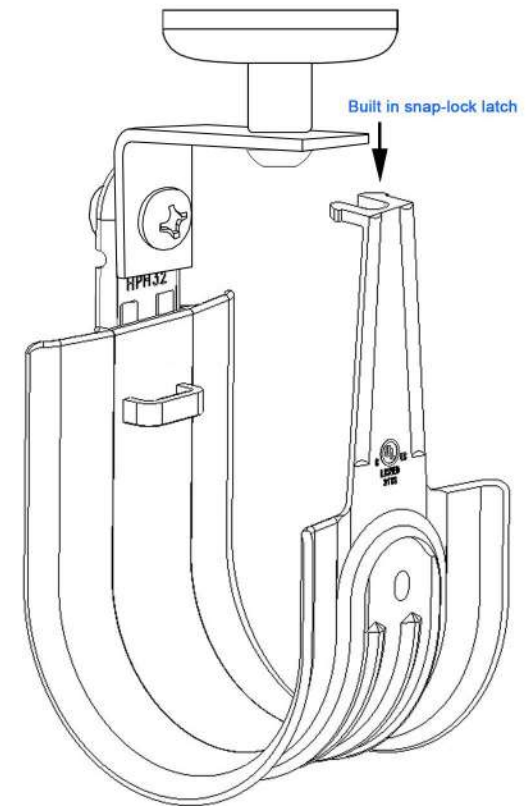
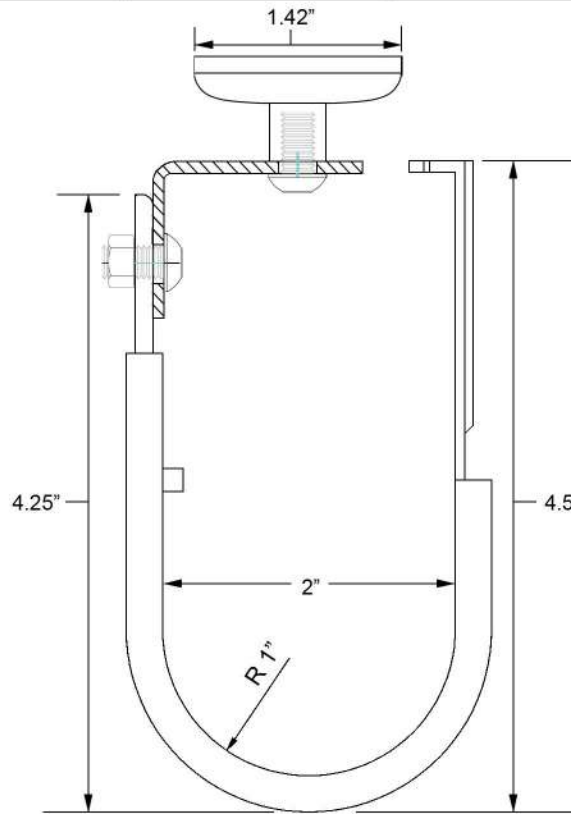
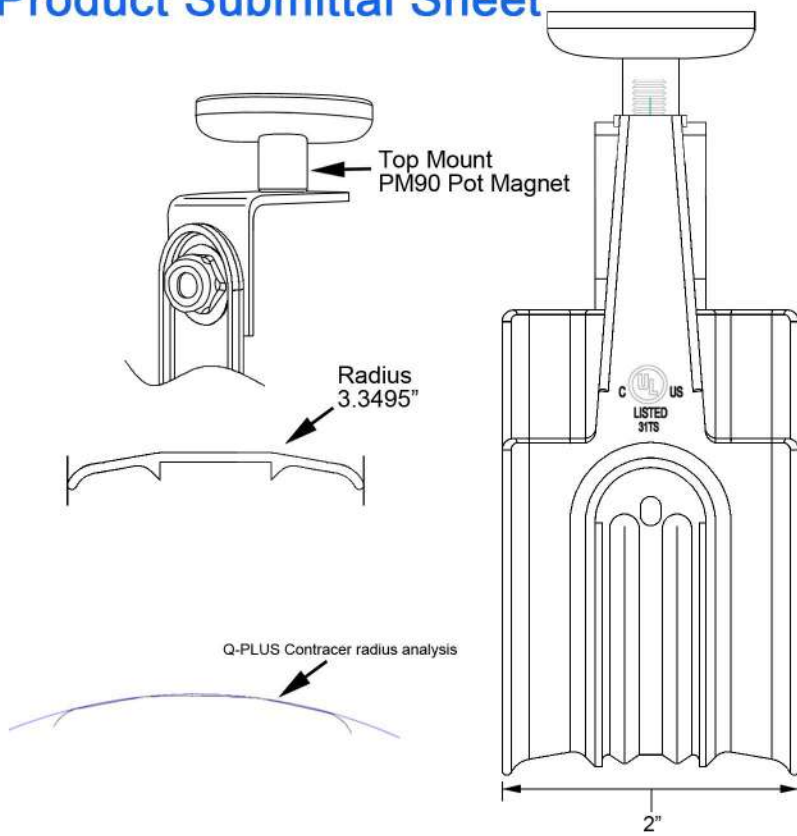
Date: 01/08/2020

Drawn by: RO

Drawing Number: 10016PMSM

Sheet 1 of 1

Product Submittal Sheet



Notes:

Doc's® Item No.: HPH32AC - 2" High Performance Hybrid J Hook assembled to PM90 Pot Magnet. TIA 569-D Compliant with an optimum bend radius of 3.3495" - tested and certified by Q-PLUS Laboratories in Irvine, CA 92618. An ISO 9001 registered / ISO 17025 accredited independent lab. UL load rating is based on a 3 to 1 safety factor. Ultimate Load rating is to failure point. Optimal support for high performance data cables such as Cat 5e, Cat 6, Cat 6A and Cat 7.

A MITUTOYO CONTOUR TRACER CV-524 WAS USED TO TRACE THE ACTUAL CROSS-SECTION CONTOUR OF THE J-HOOK. BEND RADIUS WAS FIT TO THE RAW DATA TO SIMULATE THE CONTACT OF THE CABLES IN THE J-HOOK.

Material	Steel / Polypropylene & Neodymium
Finish	Eco-friendly Zinc Cr3+ & Silver Zinc
Origin	Designed in California, Made in China
UL Load	20 lbs. / 88.96 N
Application	Vertical Mount to metallic substrates
Certification	Q-Plus
Pkg. Qty.	10 pcs per box
UPC	680283918614

	Plenum Rated TIA Compliant				
	Cable Capacity				
Part No.	Area	Dia.	CAT 5e	CAT 6	CAT 6a
HPH16	1.29 in ²	1"	20	15	10
HPH32	3.89 in ²	2"	90	60	35
HPH48	8.37 in ²	3"	200	150	80
HPH64	15.08 in ²	4"	330	220	140

Service Warehouse

DOC'S INDUSTRIES, INC.

Doc's Industries, Inc. 4121 Guardian St. Simi Valley, CA 93063

Part Number:

HPH32PM

Title: 2" High Performance Hybrid J Hook with 2" wide base support and built-in snap-lock latch - assembled to PM90

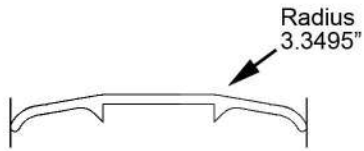
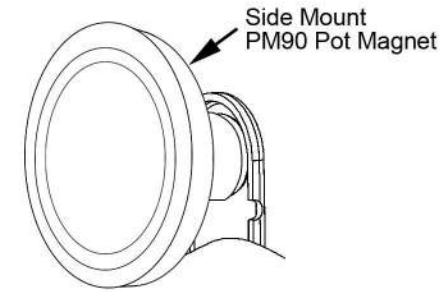
Date: 01/08/2020

Drawn by: RO

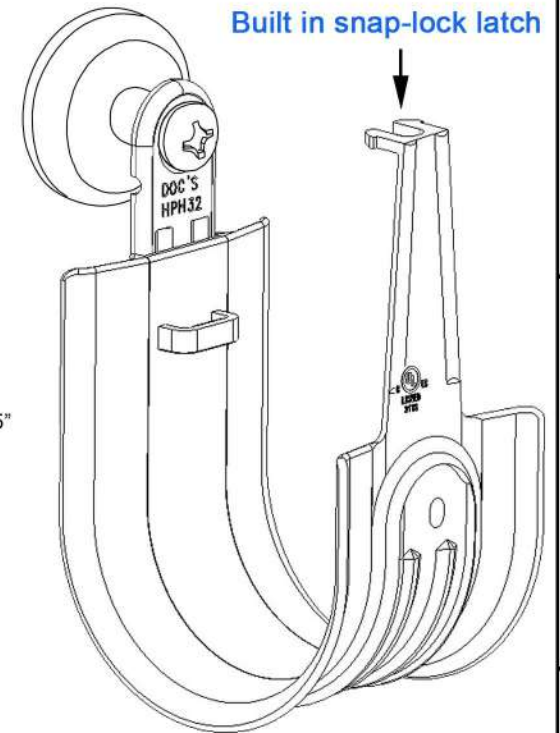
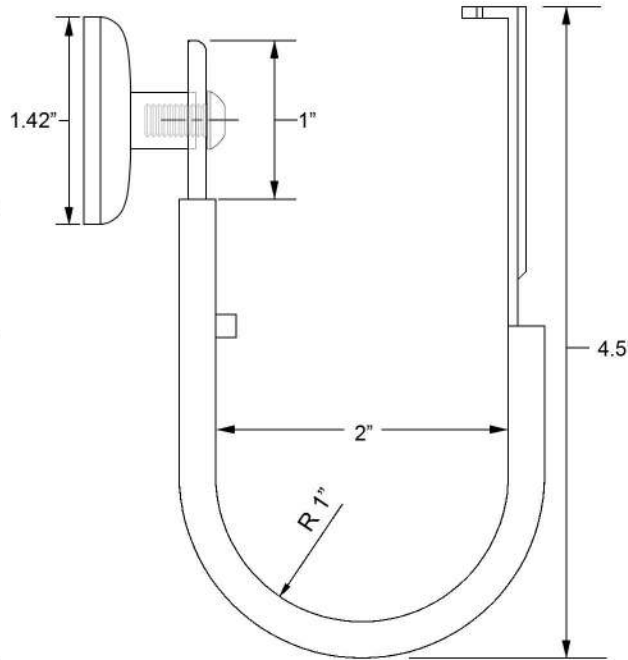
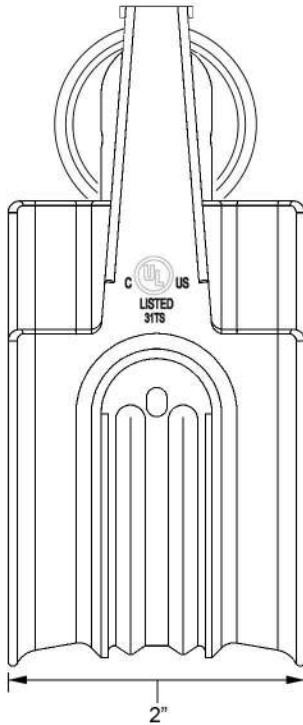
Drawing Number: 20033PM

Sheet 1 of 1

Product Submittal Sheet



Q-PLUS Contracer radius analysis



Notes:

Doc's® Item No.: HPH32 - 2" High Performance Hybrid J Hook assembled to PM90 Pot Magnet. TIA 569-D Compliant with an optimum bend radius of 3.3495" - tested and certified by Q-PLUS Laboratories in Irvine, CA 92618. An ISO 9001 registered / ISO 17025 accredited independent lab. UL load rating is based on a 3 to 1 safety factor. Ultimate Load rating is to failure point. Optimal support for high performance data cables such as Cat 5e, Cat 6, Cat 6A and Cat 7.

A MITUTOYO CONTOUR TRACER CV-524 WAS USED TO TRACE THE ACTUAL CROSS-SECTION CONTOUR OF THE J-HOOK. BEND RADIUS WAS FIT TO THE RAW DATA TO SIMULATE THE CONTACT OF THE CABLES IN THE J-HOOK.

Material	Steel / Polypropylene & Neodymium
Finish	Eco-friendly Zinc Cr3+ & Silver Zinc
Origin	Designed in California, Made in China
UL Load	17 lbs. / 75.62 N
Ultimate Load	N/A
Certification	Q-Plus
Pkg. Qty.	10 pcs per box
UPC	680283920822

	Plenum Rated TIA Compliant				
	Cable Capacity				
Part No.	Area	Dia.	CAT 5e	CAT 6	CAT 6a
HPH16	1.29 in ²	1"	20	15	10
HPH32	3.89 in ²	2"	90	60	35
HPH48	8.37 in ²	3"	200	150	80
HPH64	15.08 in ²	4"	330	220	140

Service Warehouse

DOC'S INDUSTRIES, INC.

Doc's Industries, Inc. 4121 Guardian St. Simi Valley, CA 93063

Part Number:

HPH32PMSM

Title: 2" High Performance Hybrid J Hook with 2" wide base support and built-in snap-lock latch assembled to PM90,

Date: 01/08/2020

Drawn by: RO

Drawing Number: 20032PMSM

Sheet 1 of 1